

Marketing Guide

- LSLA1000M & LSLA1000P

DIY Smart Lock With Fingerprint Security
- make your life easy and safe

Outline

- * **Brief Introduction**
- * **The desired buy points**
- * **Features**

Brief Introduction

* **Model Name Definition**

- LSLA1000P: Fingerprint lock with plastic casing (Rugged ABS Material)
- LSLA1000M: Fingerprint lock with metal casing (Zinc-alloy Material)
- LSLA1000PD: Plastic casing with German standard mortise
- LSLA1000MD: Metal casing with German standard mortise

* **Model Picture**

- LSLA1000P/LSLA1000PD with black color
- LSLA1000M/LSLA1000MD with silver color
- LSLA1000M/LSLA1000MD with champagne gold color

* **Model Appearance**

* **Package Information**

The desired buy points

* **Good Product**

- Good looking
- Easy to replace
- Easy to install
- Easy to use
- Quality is stable

* **Good Price**

- Reasonable Price
- No installation charges
- Low stock cost (for dealer)

* **Good Service**

- Provide local service
- Great support team

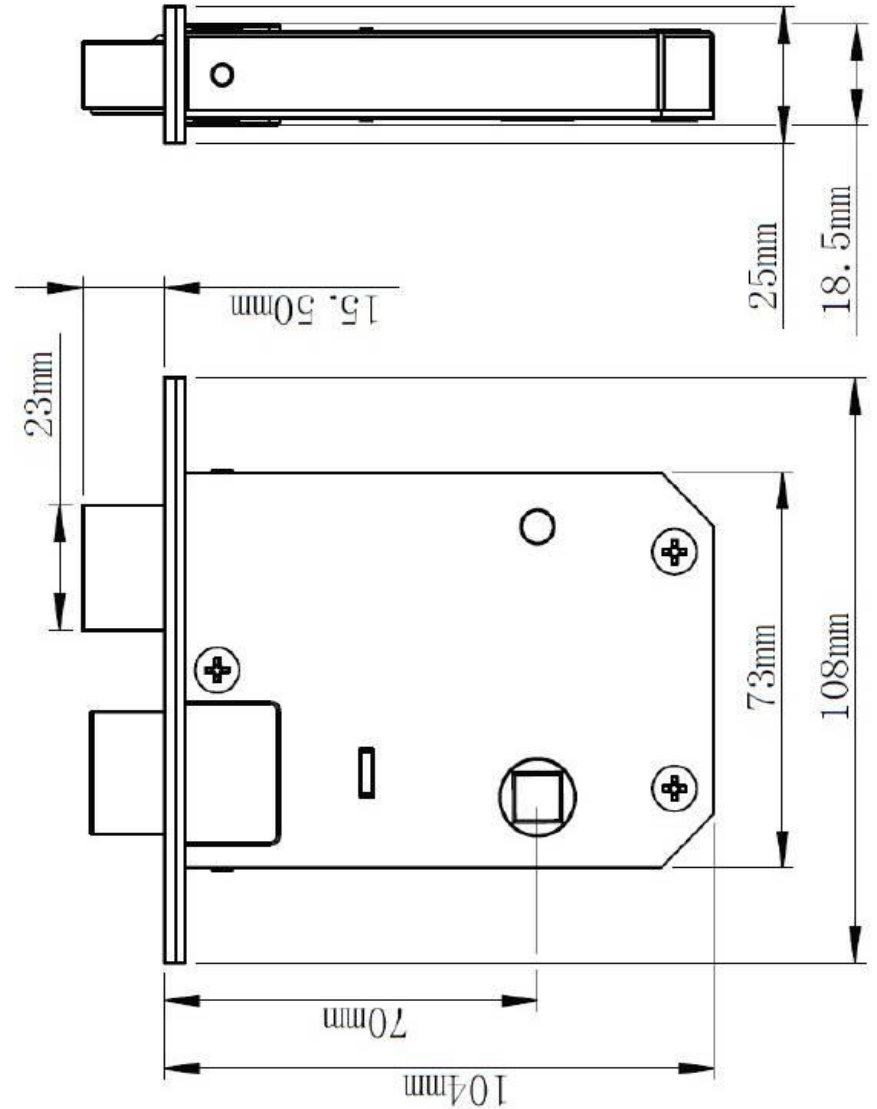
Features

- * Advanced fingerprint technology
- * Rugged, sleek and compact design
- * American standard single latch for easy replacement and installation
- * Independent clutch motor design under patent protection
- * Idle handle design to prevent from forcible entry
- * Registration data are stored even if there is power loss
- * Reversible design for handle and strike, which fits all door open direction
- * Infrared sensor – Touch to open
- * Emergency key override (concealed)
- * LED indicator and inbuilt buzzer
- * External terminals to draw back-up power from a 9V battery
- * Low battery warning
- * Normal Open mode
- * Easy to program and easy to use
- * Easy to install – no wiring required
- * 3 user groups - Admin, Normal User and Temporary User
- * Door thickness is from 30 mm to 60 mm



German Standard Mortise

- * One latch and one deadbolt
- * Backset is 70 mm
- * Turn handle upward to lock the deadbolt



**LSLA1000P/LSLA1000PD with
black color**



LSLA1000M/M10D with silver color



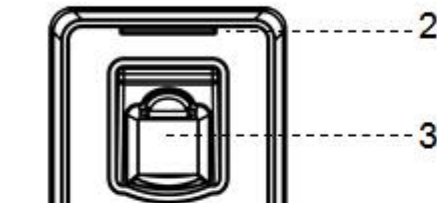
**LSLA1000M/LSLA1000MD with champaign
gold color**



Model Appearance

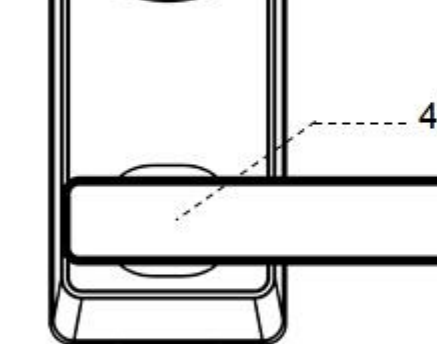


1



2

3



4

5

- 1 Infrared sensor hole
- 2 LED
- 3 Fingerprint Sensor
- 4 Handle
- 5 Mechanical key hole
- 6 Battery box cover
- 7 Battery Area
- 8 Button③ / Temporary User
- 9 Button① / Admin user
- 10 Back LED
- 11 Button⊖ / Delete user
- 12 Button⊕ / Add user
- 13 Reset Button
- 14 Button② / Normal User
- 15 9V Emergency battery interface

6

7

8

9

10

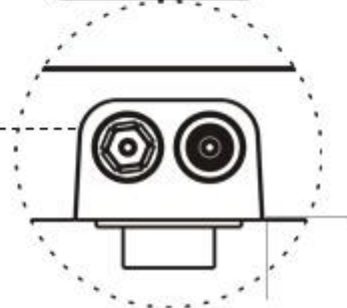
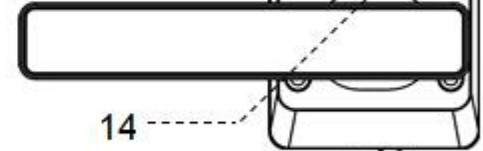
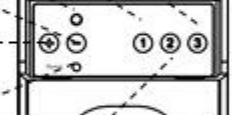
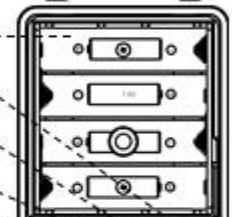
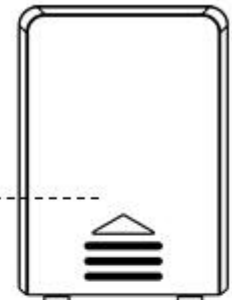
11

12

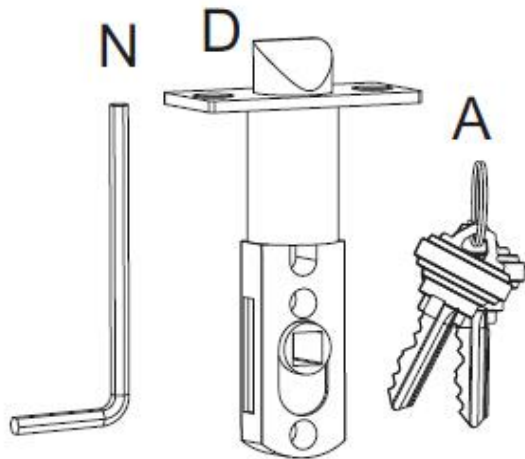
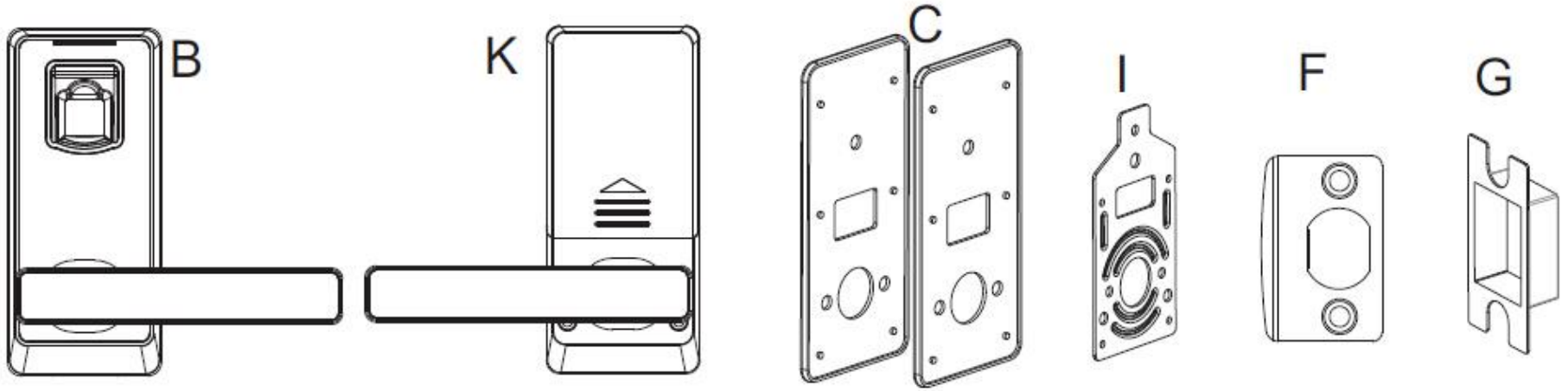
13

14

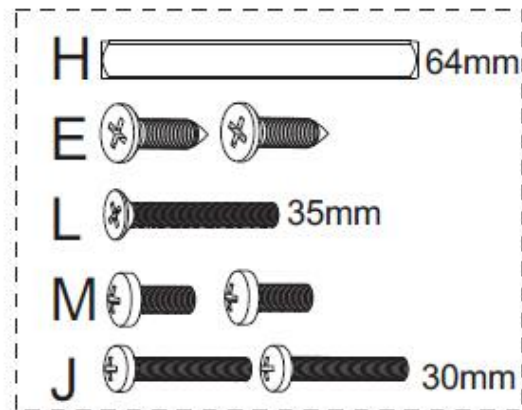
15



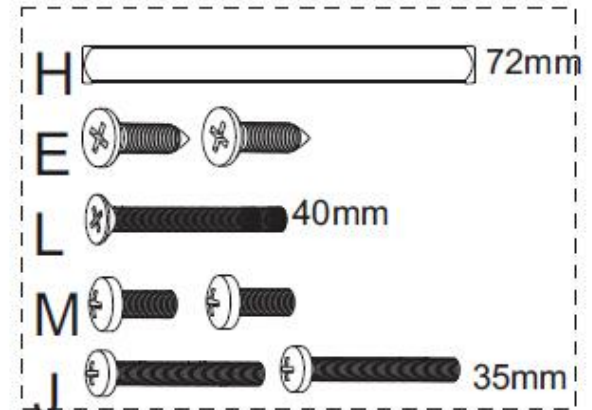
Package Information



Mounting Hardware Package
39-46mm door thickness



Mounting Hardware Package
47-54mm door thickness



Good Looking

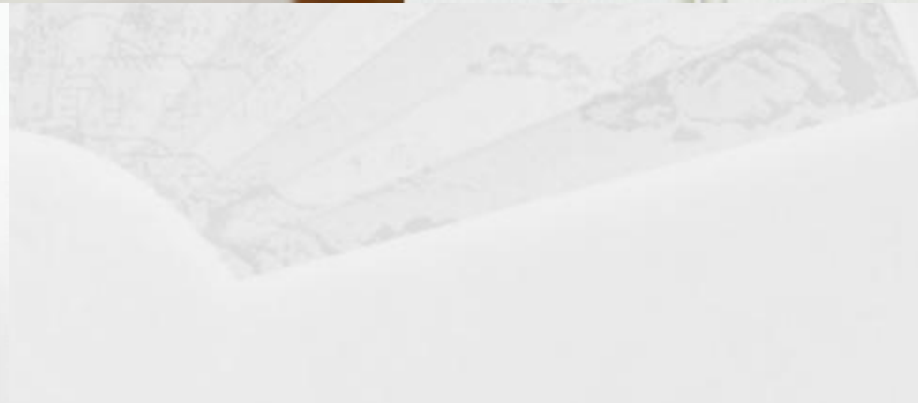
Which lock will you like?



Easy to replace

For the knob lock on the door, it is easy to replace, no risk to damage the door.

Note: the backset of most knob lock is 60 mm (2 3/8 inch) or 70 mm (2 3/4 inch)

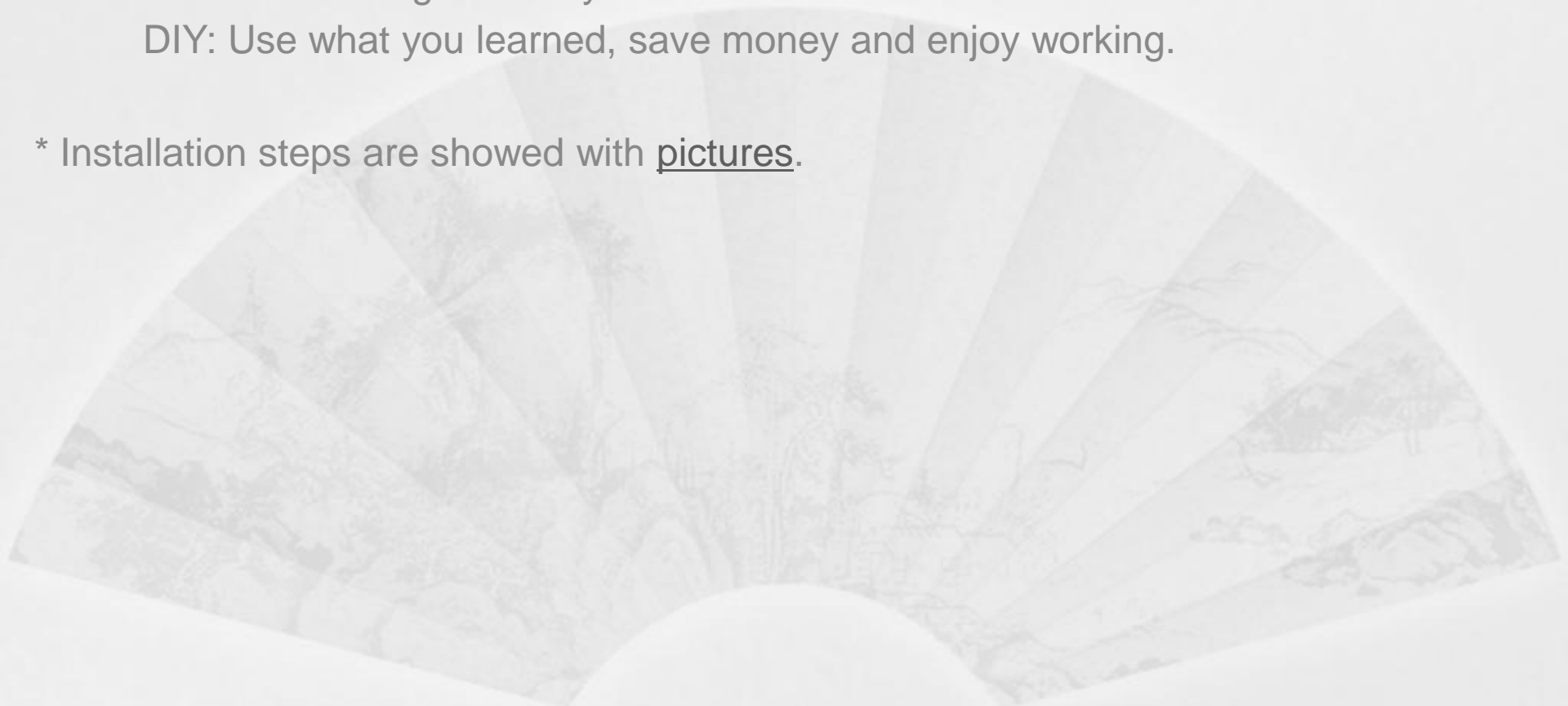


Easy to install

* DIY Installation Design - Do it yourself.

DIY: Use what you learned, save money and enjoy working.

* Installation steps are showed with pictures.



Easy to use

- * With Quick Start Guide sticked on the battery cover,so that every user will know the operation quickly
- * 3 steps to register the First Admin
- * 5 steps to register other users
- * 4 steps to delete users
- * 1 step to open the door
 - Other fingerprint locks need 2 steps: press power button, then place finger
- * Operation Instruction Video & User Manual

Quality is stable

- * Keep testing clutch motor 60000 times
- * PCB surface with epoxy encapsulated is moisture-proof design
- * All are developed and manufactured by our company only
- * 1 year warranty service

No Installation Charges

Do it yourself ,you can use those tools to replace the knob lock



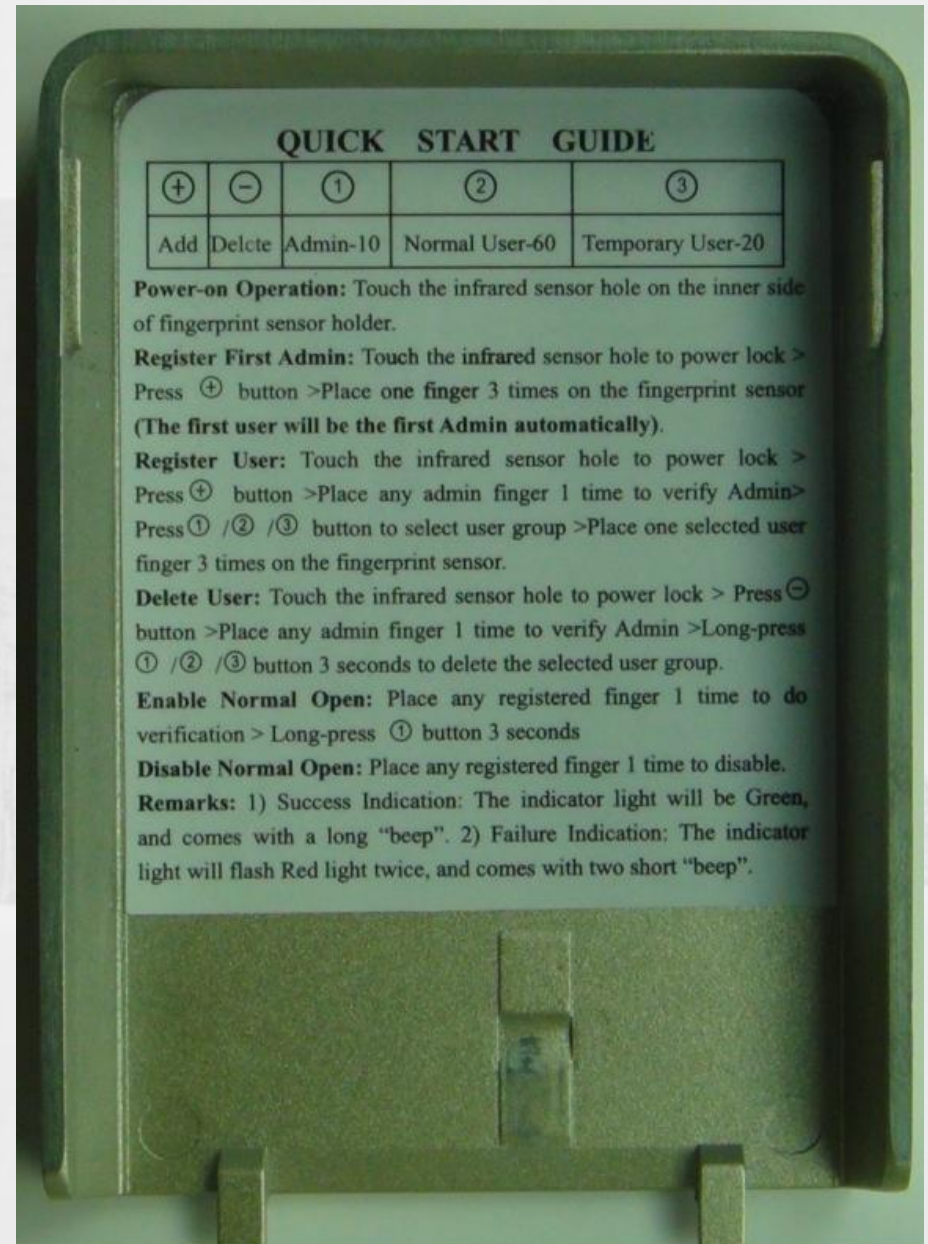
Low Stock Cost

- * Handle/latch is reversible - from left open to right open
- * Strike is reversible - from inward open to outward open
- * Backset is adjustable - from 60 mm to 70mm
- * Door thickness is very wide - from 30 to 60mm

In this case, this lock fits all door open direction ! So dealers do not need to stock different locks with specified configuration (open direction & door thickness) , it will help dealer to reduce the stock cost greatly.

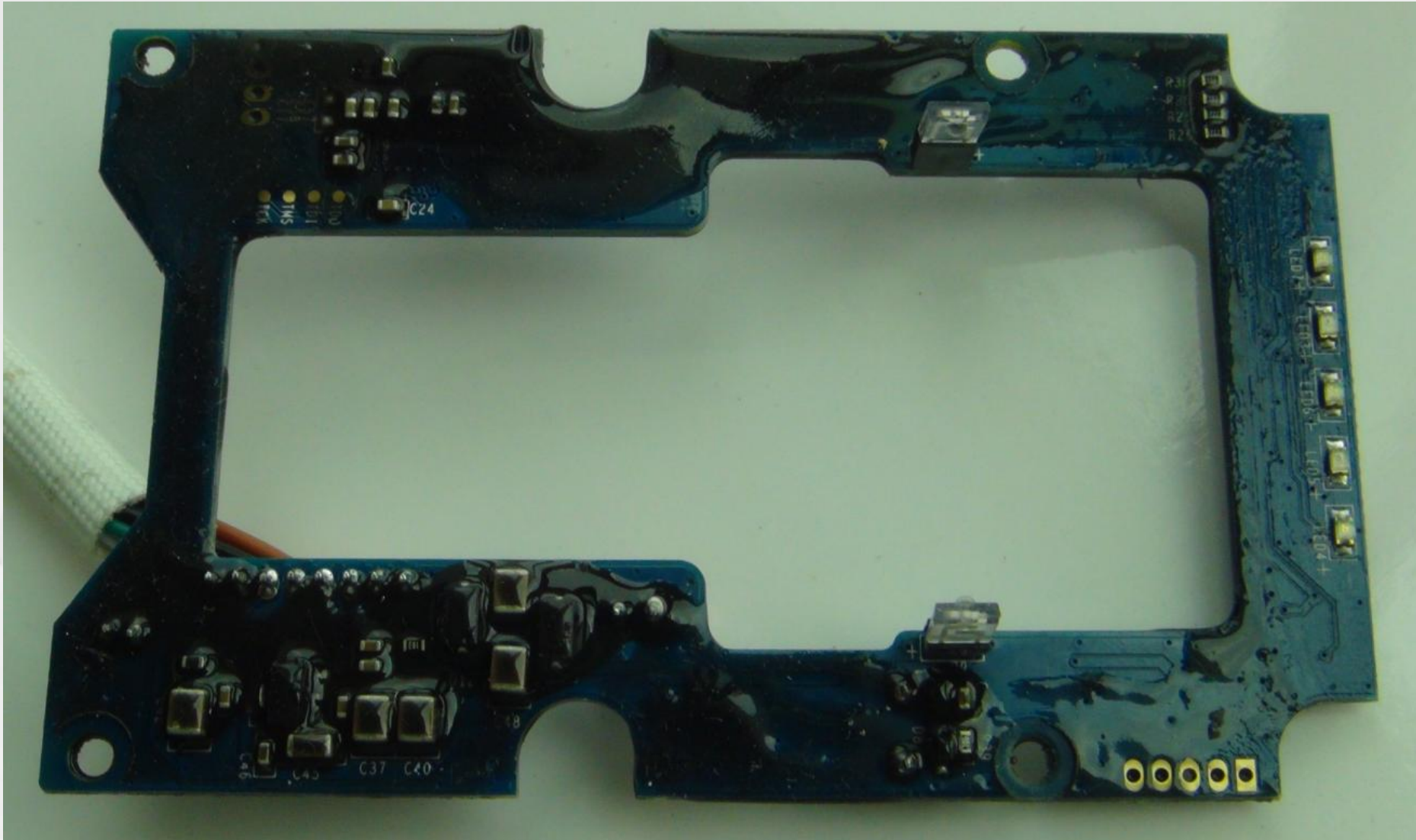
Quick Start Guide

* English or Spanish



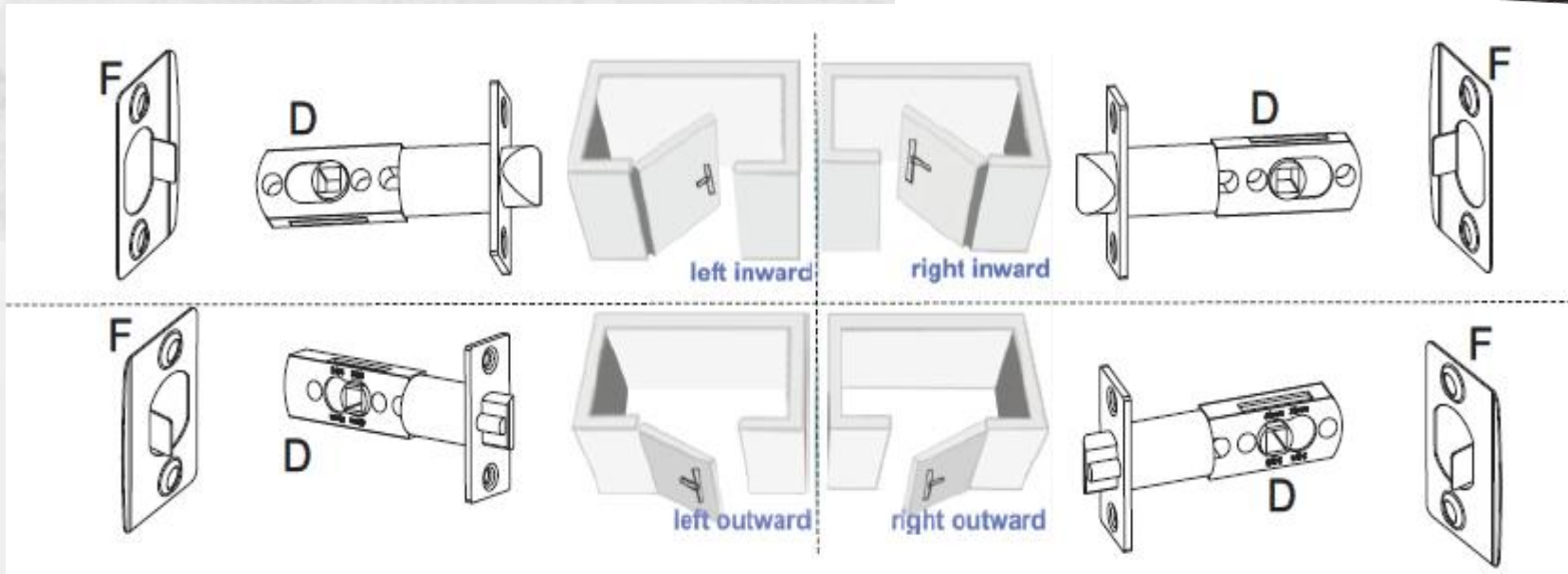
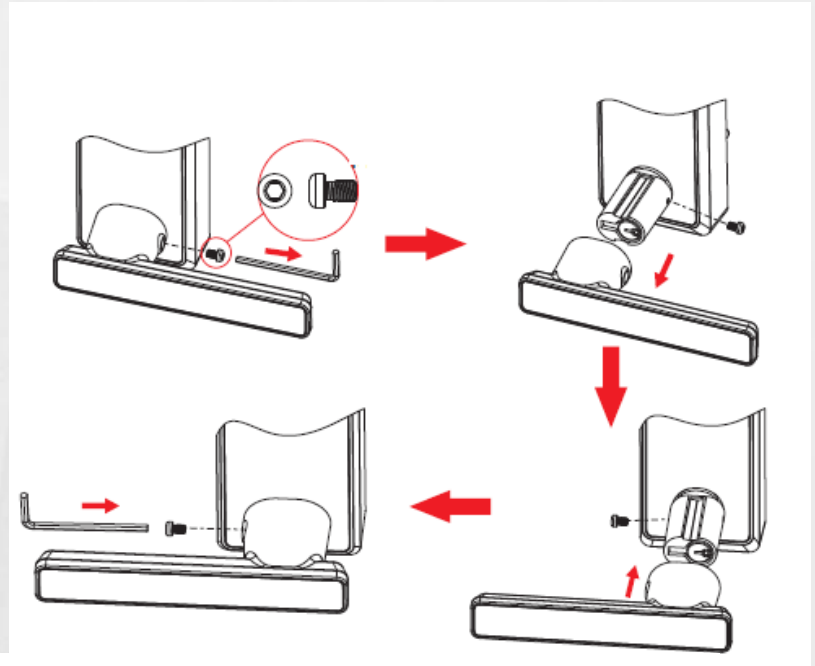
PCB

* PCB surface with epoxy encapsulated is moisture-proof design.



Reversible Design

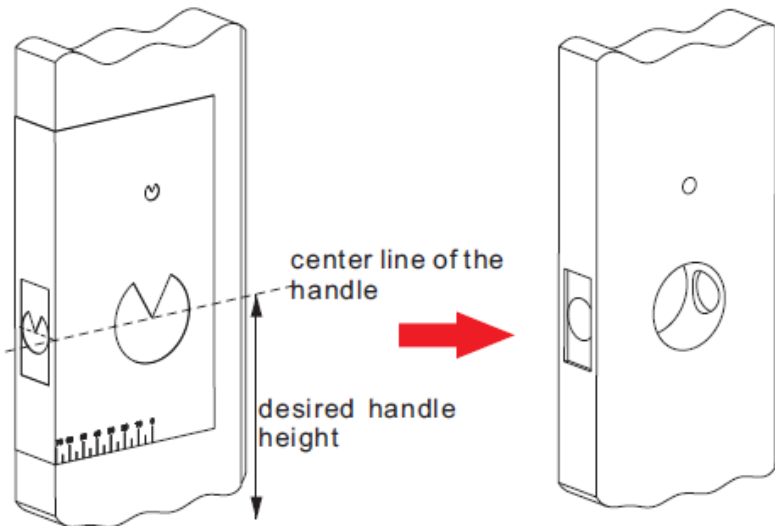
- * Handle/Latch is reversible
- * Strike is reversible



Installation Steps - New Door

Taking new door for example.

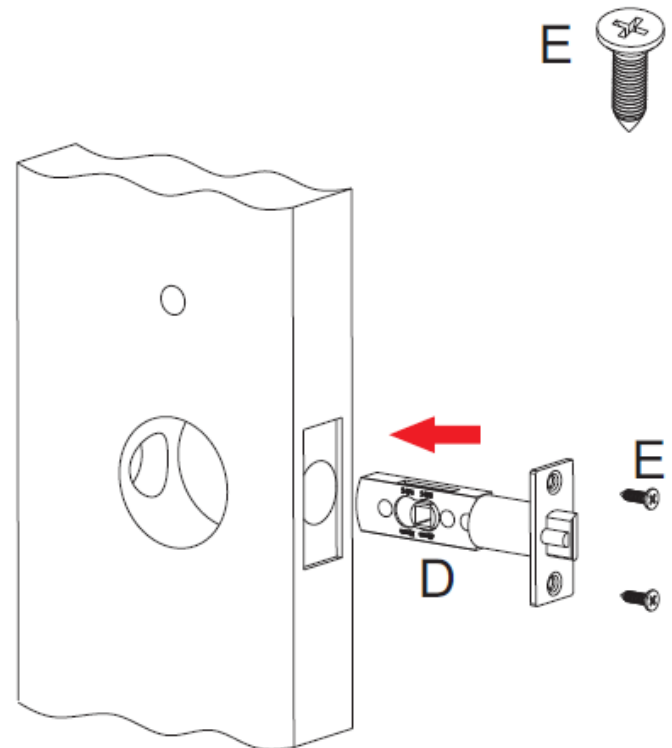
1. Drilling holes on the door.



1). Align the template along the vertical center line of the latch(D) at the desired handle height, and tape it to the door.

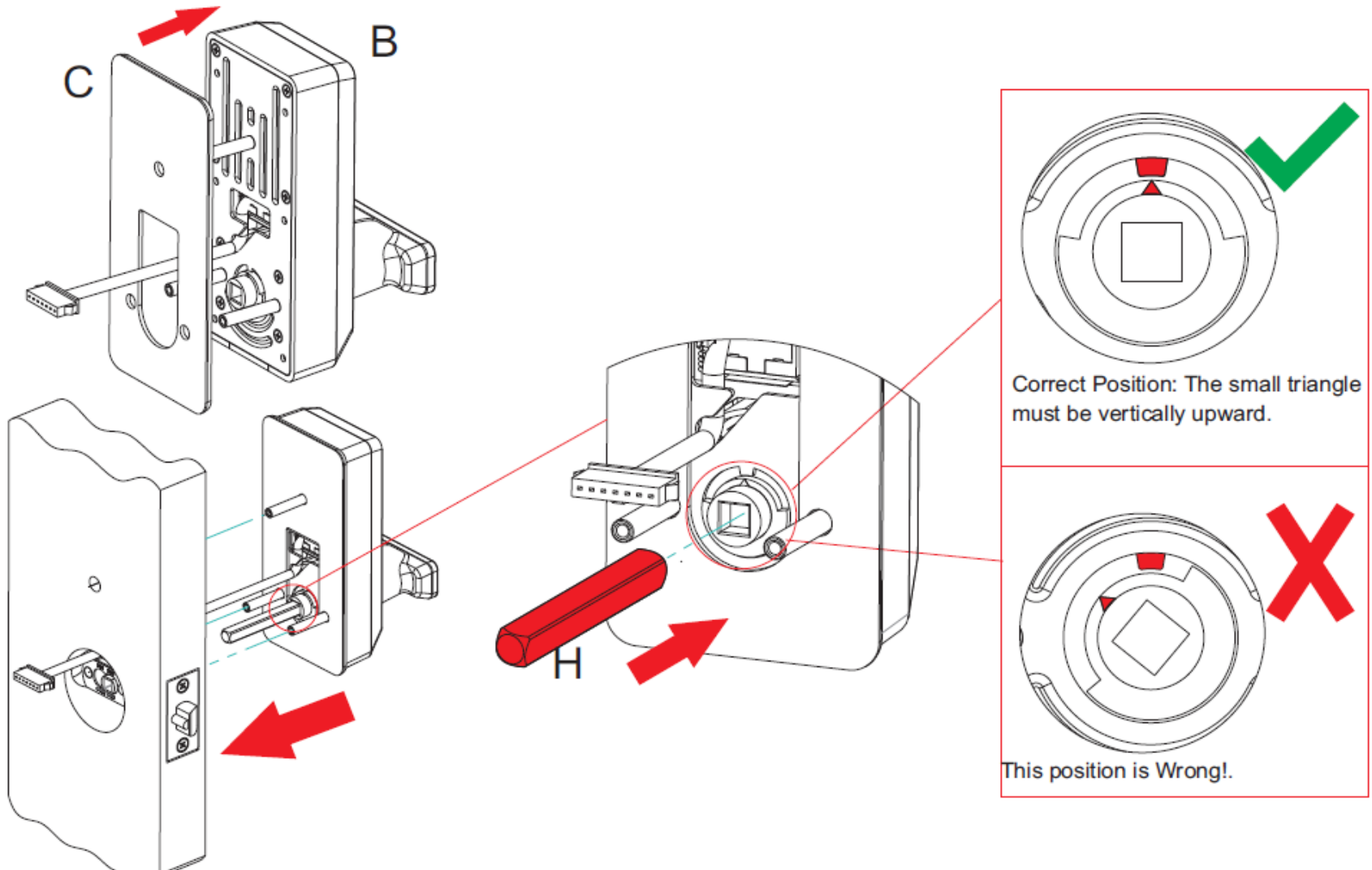
2). Mark the holes first, then start drilling.

2. Install the latch (D).



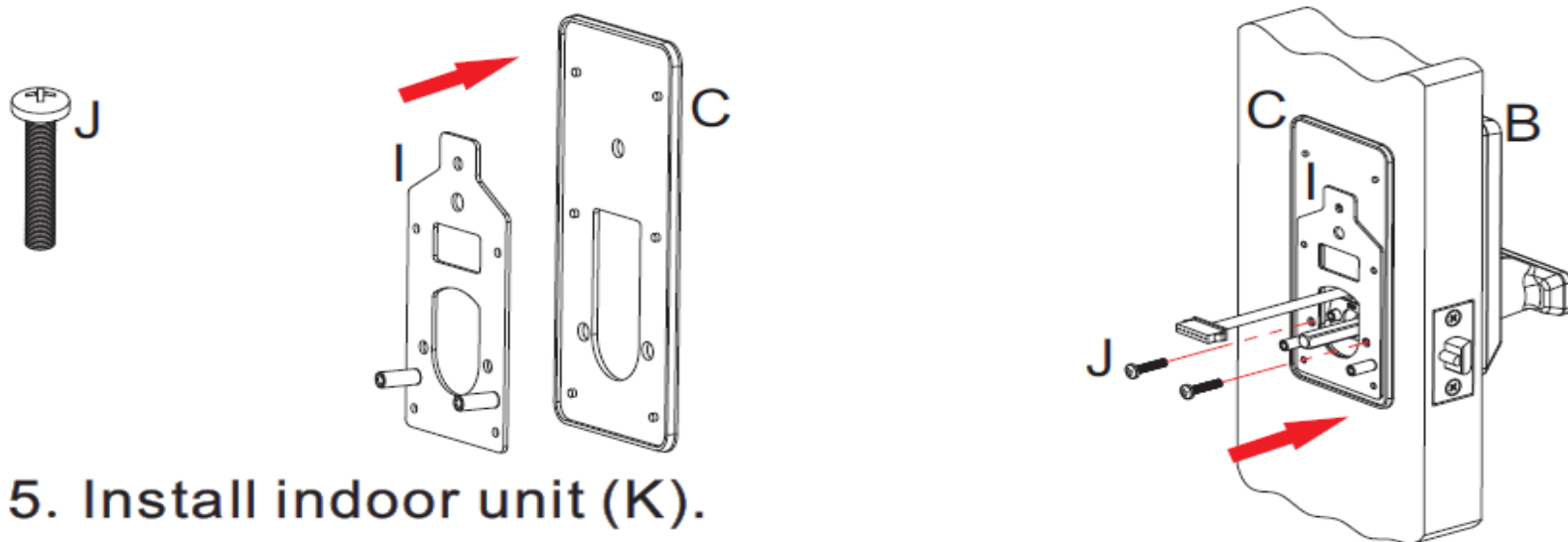
Installation Steps - New Door

3. Install outdoor unit(B) with gasket(C) and spindle(H) on the door.

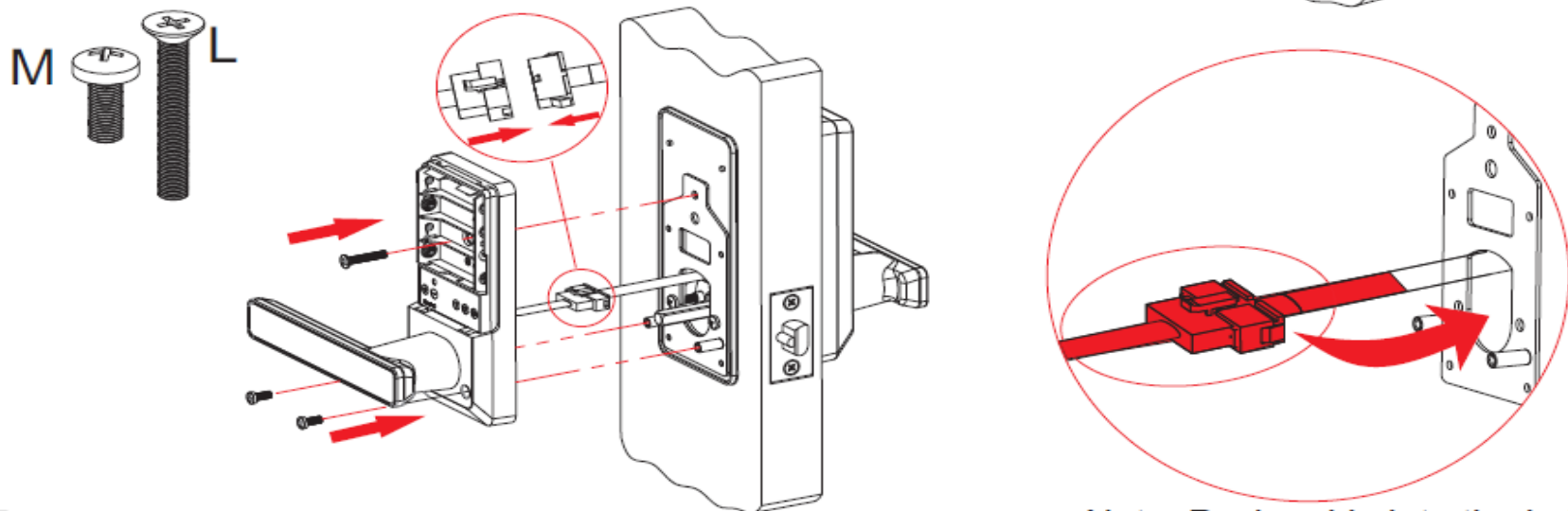


Installation Steps - New Door

4. Install mounting plate (I) with gasket (C) on the door.



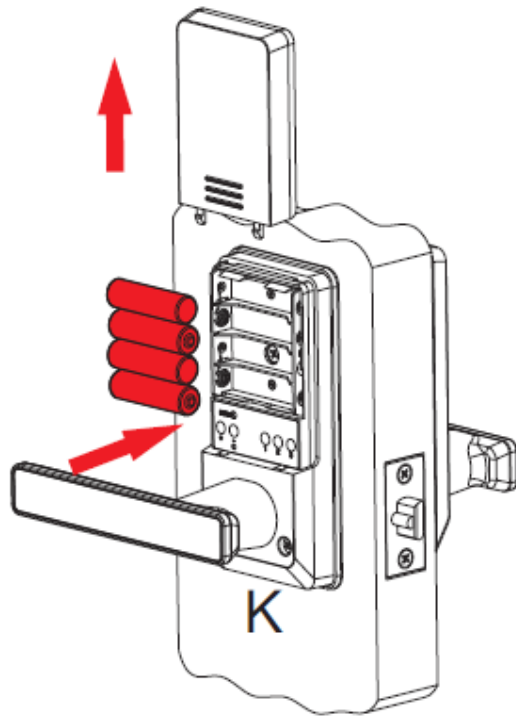
5. Install indoor unit (K).



Note: Push cable into the hole at first.

Installation Steps - New Door

6. Install the battery.



7. Mark and drill holes for strike.

