

Features Of Hotel Locking System

Feature	Event	Benefit
SECURITY		
Cancel cards	A card has been lost and must be cancelled.	Both guest and master cards can be cancelled from one central location. The online system will notify each lock.
Intruder alarms	Lost keycard being tried in the locks.	An alarm is automatically triggered when an unauthorized keycard is used in different locks and remotely cancels the keycard.
Door ajar	The door is left open.	Will automatically trigger an alarm that can be sent directly to security personnel if the door is left open too long. It is possible to differentiate if the door was open by a guest or by an employee.
Block User Group	Block User Groups in different doors or areas.	User Groups can for security reasons be blocked and temporarily not have access to certain areas of the hotel. E.g: a VIP guest.
Emergency open doors	All doors can be emergently opened.	In case of e.g. a fire, all doors at the hotel can be unlocked from one card.
Audit trails/events	Events are recorded at lock and can be displayed at PC.	See all events directly on PC, no need to travel to lock to perform readouts.
Track users	Individual card holders can be tracked in the system.	Find out the movement or the last location of a keycard holder. Applies both to guests and employees.
FRONTDESK		
Change room	Guest is not satisfied with the room, and wants to change.	A guest can be assigned a new room by going to the front desk to recode a new guest card.
Extend stay	The guest wants to extend the stay.	A guest can extend the stay by going to the front desk for recoding.
Auto Check-out	Card stops working when guest checks-out time.	The card will automatically stop working when check-out time.
MAINTENANCE		
Low battery reports	Automatically receive low battery reports.	No longer any need to travel to each lock or safe to check the battery status
Various alerts	Alerts created by the system when things occur in the network.	Alerts will be created and sent to the correct personnel when different things occur to improve maintenance efficiency. This can for example be that components go temporarily offline for some reason
HOUSEKEEPING		
Easy to reassign employees	If needed housekeepers can be reassigned from one area to another.	Using the Auto-Update function access for employees can easily be changed
MANAGEMENT		
Flexible access patters	No limit in number of user groups and users as access information is stored on user cards.	Users can be given access both through a user group and on individual basis. This means that there is no limit in the number of access patterns in the hotel.
Change access for Employees	Easy to change the access for employees.	Using the Auto-Update function access can be easily changed both for individual users and for entire user groups
Customized reports	Create reports based on the need of the hotel.	Create and save customized reports displaying events from the system and rooms
Flexible System access	Customize the access according to the need of the hotel.	System access can be specified down to the smallest detail.
Central database	All system information and lock events are stored in central database.	Possible to cross-check data and create custom reports as needed on lock events, user events.

CONTENTS

03-04



System Introduction

Features

Working Process

Technical Parameters

Testing

05-32



Product Series

Zinc Alloy Series

HH Series

Keypad Series

Stainless Steel Series

Copper Series

Lockset

33-38



Sauna Lock

TM Series

RF Series

Traditional Series

39-40









Accessory

41-42



Door Direction & Thickness

-  All-In-One Card
-  Users Information Management
-  Auto-Locking
-  Key Unlocking For emergency
-  Illegal Opeoration Alarm
-  Low Voltage Alarm



Technical Parameter

Door Thickness	35mm to 70mm	Work Voltage	4.3--6V
Backup Key	Steel Key Available	Work Humidity	≤93%
Used Site	Hotel	Static Current	<25uA
Door	Wooden Door	Work Temperature	-20℃~55℃
Card Capacity	Unlimited	Unlocking Way	RF or TM or IC
Power Offering	4pcs AA battery and outside backup powering	Color Available	Multiple

Working Process Of Hotel Locking System

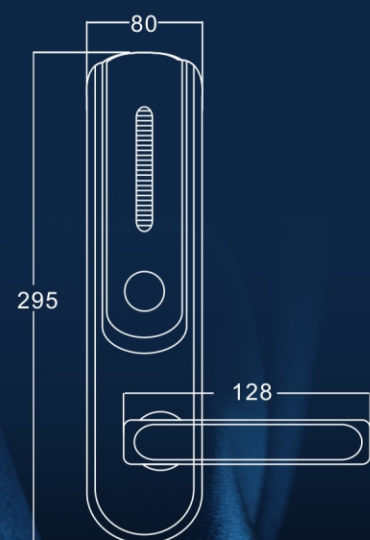


Testing



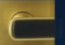
Hotel Lock

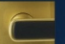
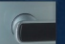
Distinctive style is an enlightenment drawn from the post Modernism. Both fresh and shining appear—ancesand free and comfortable air fully fill the entire space, endowing you a harmonious and warm family



Zinc Alloy Series

Model: LSLA8018

Color:  J

Optional:  
J Y

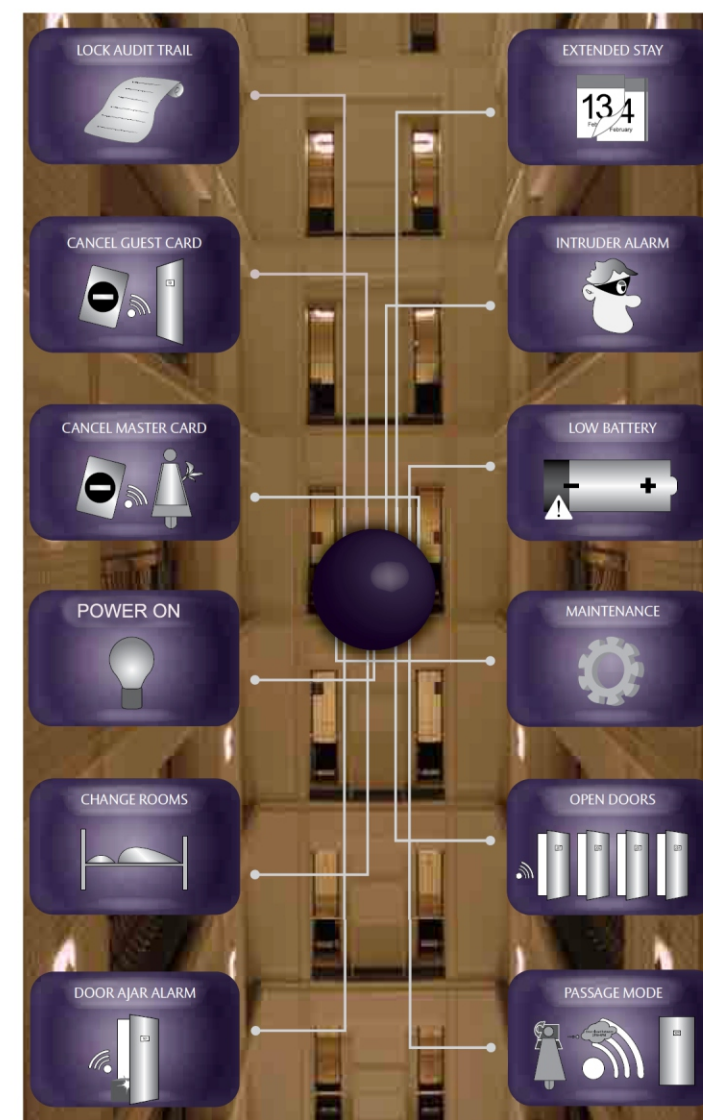


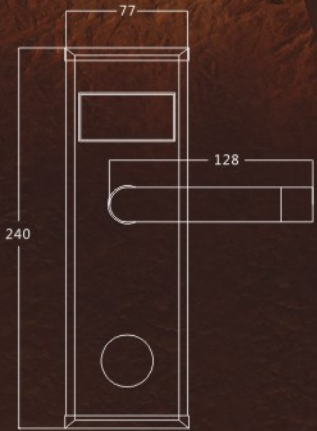
LSLA8018

LSLA1038

LSLA1038

FEATURES OF HOTEL LOCK SYSTEM





Color: J
 Optional: J Y

LSLA118A



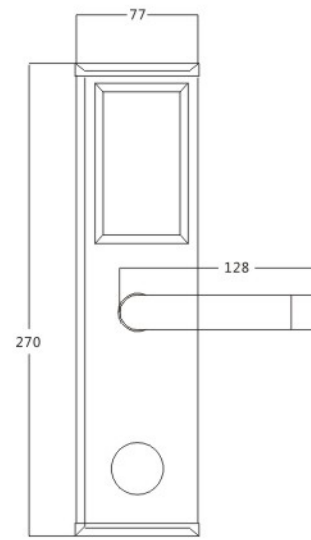
LSLA118B

Color: Y
 Optional: J Y



LSLA118-C

Color: J
 Optional: J Y



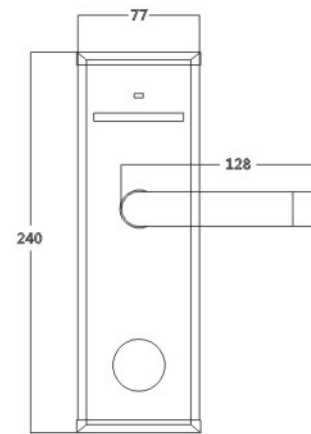
LSLA118-C

Color: Y
 Optional: J Y



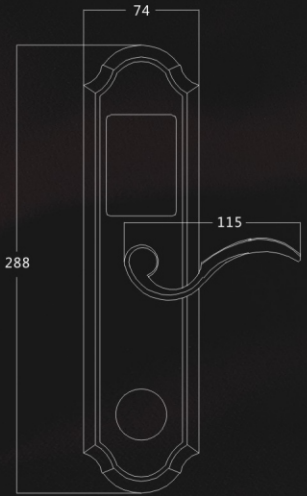
LSLA118-IC

Color: J
 Optional: J Y



LSLA118-TM

Color: J
 Optional: J Y



Model: LSLA318
Color: JJ
Optional: J Y JJ



Model: LSLA318
Color: J
Optional: J Y JJ



Model: LSLA318
Color: Y
Optional: J Y JJ



Model: LSLA218
Color: J



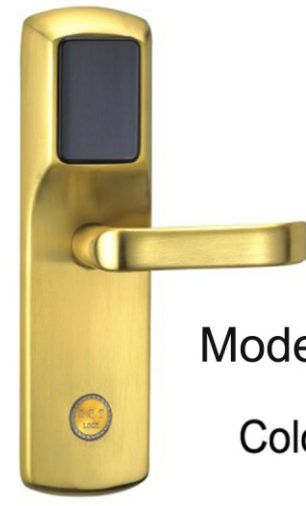
Model: LSLA218
Color: JN



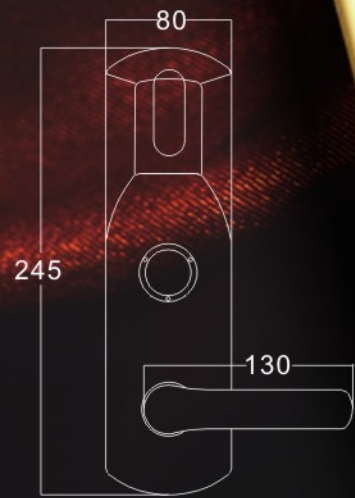
Model: LSLA218
Color: NN



Model: LSLA618
Color: J
Optional: J Y



Model: LSLA718
Color: J
Optional: J Y



Model: LSLA518
 Color: J
 Optional: J Y



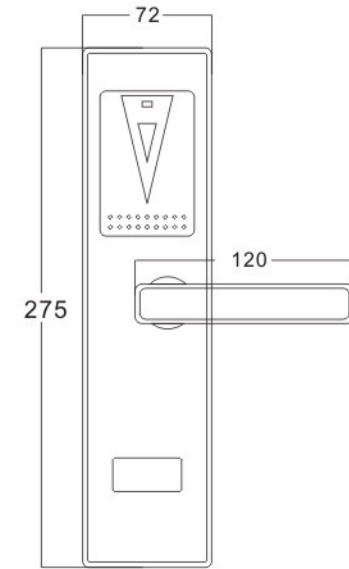
Model: LSLA518
 Color: Y
 Optional: J Y



Model: LSLA518-IC
 Color: Y
 Optional: J Y



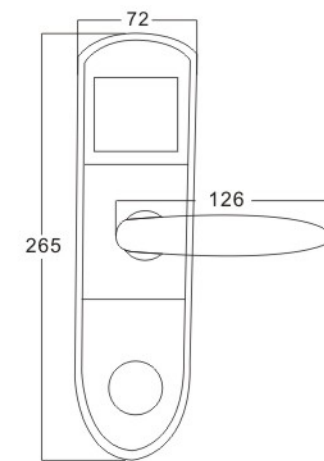
Model: LSLA8038
 Color: J
 Optional: J Y



Model: LSLA8038
 Color: Y
 Optional: J Y



Model: LSLA8028
 Color: J
 Optional: J Y



Model: LSLA8028
 Color: Y
 Optional: J Y



Model: LSLA9018
Color: J
Optional: J Y HG



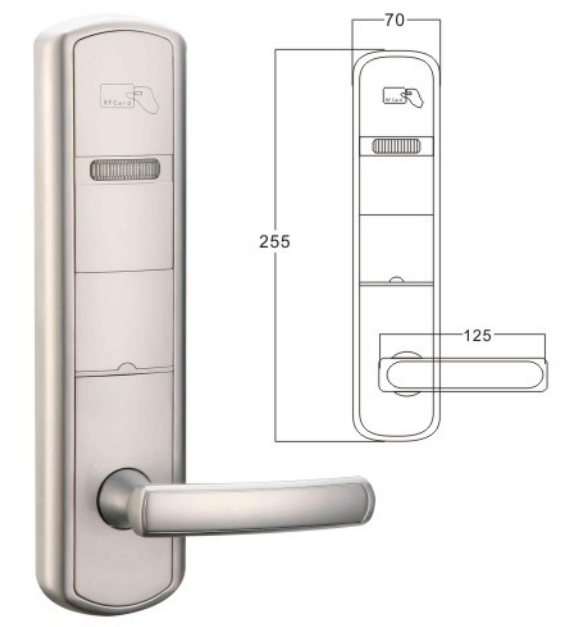
Model: LSLA9018
Color: Y
Optional: J Y HG



Model: LSLA9018
Color: HG
Optional: J Y HG



Model: LSLA918
Color: J
Optional: J Y HG



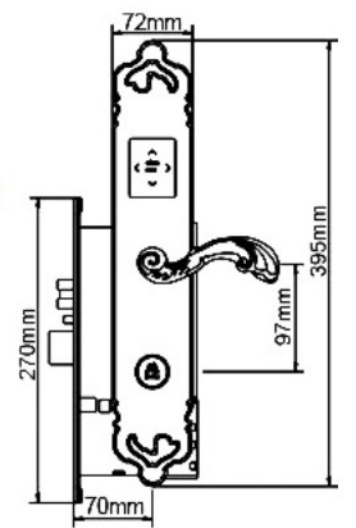
Model: LSLA918
Color: Y
Optional: J Y



Model: LSLA8068
Color: J
Optional: J Y QG

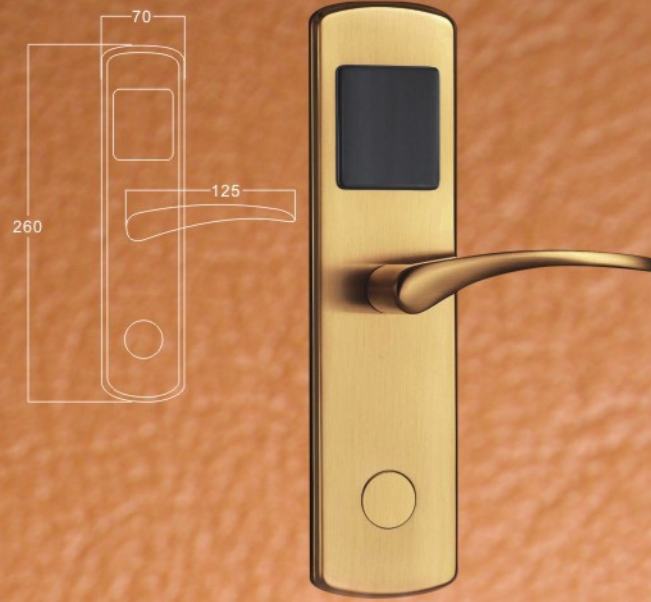


Model: LSLA8068
Color: QG
Optional: J Y QG





Model: **LSLA418**
 Color: Y
 Optional: J Y



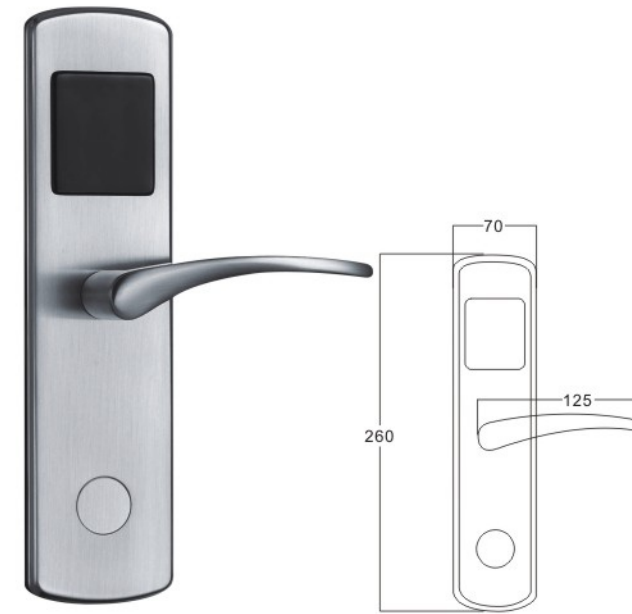
Model: **LSLA418**
 Color: J
 Optional: J Y



Model: **LSLA8058**
 Color: J
 Optional: J Y



Model: **LSLA8058**
 Color: Y
 Optional: J Y



Model: **LSLA418**
 Color: Y
 Optional: J Y



Model: **LSLA8826**
 Color: Y
 Optional: J Y



Model: LSLA1018A

Color: Y

Optional:
J Y



Model: LSLA1018A

Color: J

Optional:
J Y



Model: LSLA1008B

Color: J

Optional:
J Y



Model: LSLA1008B

Color: Y

Optional:
J Y



Model: LSLA1018

Color: J

Optional:
J Y



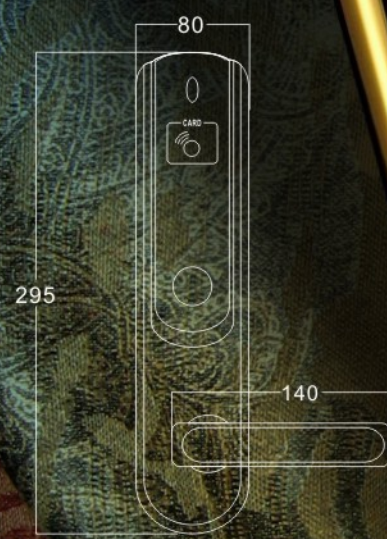
Model: LSLA1018

Color: Y

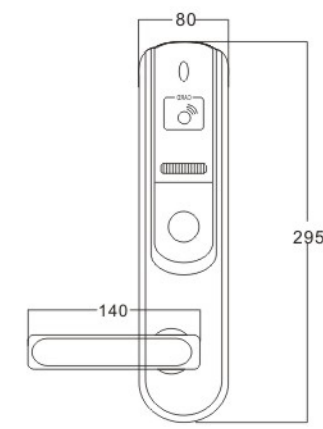
Optional:
J Y



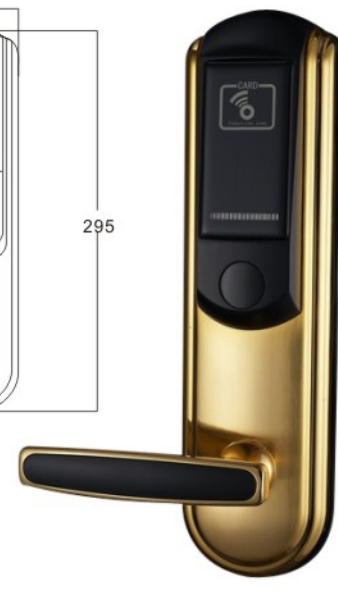
Model: LSLA8088A
Color: Y
Optional: J Y



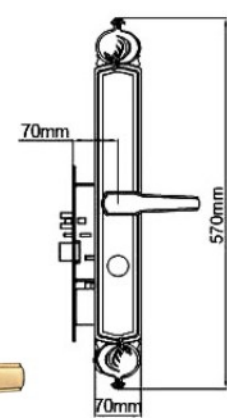
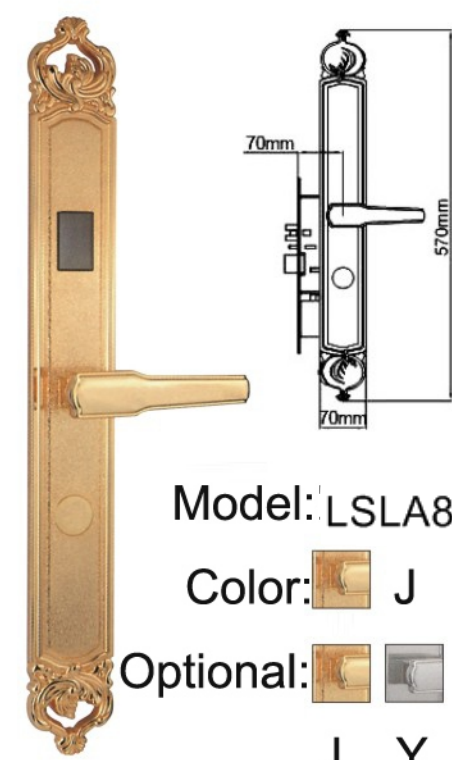
Model: LSLA8088A
Color: J
Optional: J Y



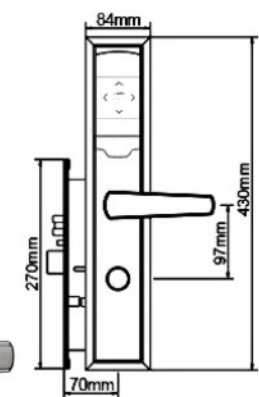
Model: LSLA8088B
Color: J
Optional: J Y



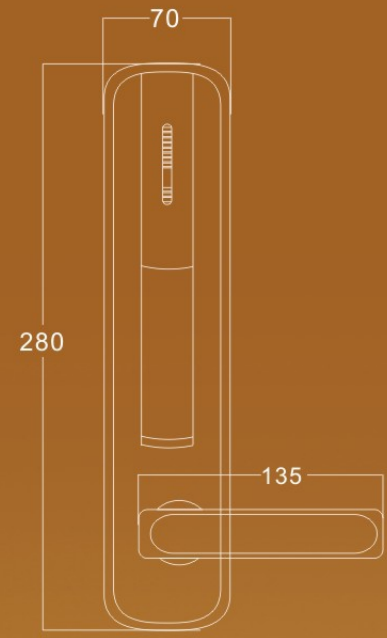
Model: LSLA8088B
Color: Y
Optional: J Y




Model: LSLA8048
Color: J
Optional: J Y





Model: LSLA8078
Color: Y
Optional: J Y



Model: LSLA1058



Color:  J

Optional:  
J Y



Model: LSLA1058



Color:  Y

Optional:  
J Y



Model: LSLA1078

Color:  Y

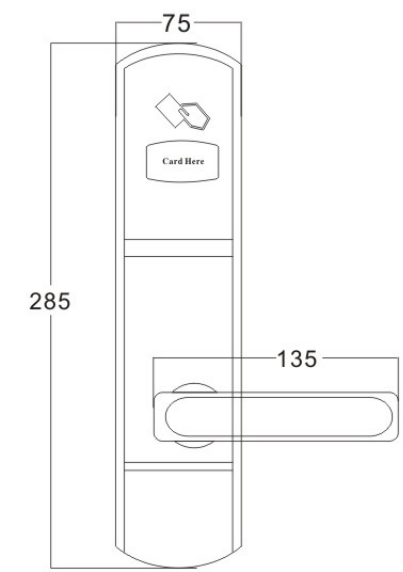
Optional:  
J Y



Model: LSLA1068

Color:  J

Optional:  
J Y



Model: LSLA1068

Color:  Y

Optional:  
J Y



Model: **LSLA0802A**


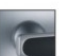
Color:  J

Optional:  
J Y



Model: LSLA0702B

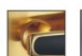
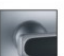
Color:  J

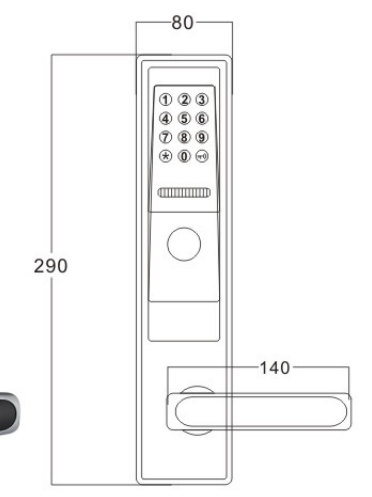
Optional:  
J Y



Model: LSLA0702B



Color:  Y

Optional:  
J Y



Model: LSLA0802

Color:  Y

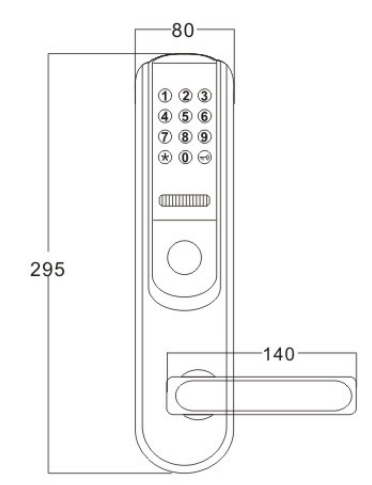
Optional:  
J Y



Model: LSLA0802


Color:  J



Optional:  
J Y





Model: LSLA0602

Color:  Y

Optional:  
J Y



Model: LSLA0602

Color:  J

Optional:  
J Y



Model: LSLA0902

Color:  J

Optional:  
J Y



Model: LSLA0902

Color:  Y

Optional:  
J Y



LSLA304B



LSLA304A



LSLA304C



LSLA17F



LSLA15F



Model: LSLA9801



LSLA9803



LSLA9805



LSLA9800



LSLA9802



LSLA9806



LSLA9807

**1.Function:**

- | |
|--|
| (1).Unlock by Mifare-1/EM4100/TEMIC/TM card. |
| (2).Access time memory. |
| (3).Auto lock function. |
| (4).Alarm against low battery. |

2.Parameter:

- | |
|--|
| (1).Access time memory:1000pcs unlocking memory with 32byte. |
| (2).Work Temperature:-20℃-50℃ |
| (3).Work Humidity:0-90%. |
| (4).Battery life:>=10,000 unlocking times. |
| (5).Voltage<=4.8V,200unlocking times available. |

3.Material:Plastic,Zinc Alloy,Al Alloy available.**4.Used in:**Locker,Cabinet,Sauna,Gymnasium,Super Market,Park,Swimming Pool,
Drawer,Cupboard,Office,Meter,Mailbox,Post Box,Health Club,etc.

TM105J



TM105Y



TM104J



TM104Y



TM106J



TM106Y



TM107J



TM107Y



TM113J



TM113Y



TM109J



TM109Y



TM110J



TM110Y



TM116J



TM116Y



TM111J



TM111Y





EM102J



EM102Y



EM102R



EM102K



EM102Y



EM102J



EM102R



EM102B

1.Function:

- | |
|--|
| (1).Unlock by Mifare-1/EM4100/TEMIC/TM card. |
| (2).Access time memory. |
| (3).Auto lock function. |
| (4).Alarm against low battery. |

2.Parameter:

- | |
|--|
| (1).Access time memory:1000pcs unlocking memory with 32byte. |
| (2).Work Temperature:-20℃-50℃ |
| (3).Work Humidity:0-90%. |
| (4).Battery life:>=10,000 unlocking times. |
| (5).Voltage<=4.8V,200unlocking times available. |

3.Material:Plastic,Zinc Alloy,Al Alloy available.

4.Used in:

Locker,Cabinet,Sauna,Gymnasium,Super Market,Park,Swimming Pool,
Drawer,Cupboard,Office,Meter,Mailbox,Post Box,Health Club,etc.



EM101Y



EM101J



EM104J



EM104Y



EM107J



EM107Y



EM106J



EM106Y



EM304



EM108J



EM108Y



EM109J



EM109Y



EM111J



EM111Y



EM105J



EM105Y



EM112J



EM112Y



EM113J



EM113Y



EM115J



EM115HG



EM819J



EM819QG



EM819Y



EM115Y



EM817J



EM817HG



EM817QG



EM117Y



EM116J



EM116Y



EM117J



EM117Y



EM118J



EM118HG



EM119K



EM119Y

BANGLE CARD



POWER SWITCH



Guest Card Type



Traditional Type



IC Card Type



RF Card Type

work Voltage:110V/220V;

Work Currency:16A/30A;

Power Consumption:3520/6600W;

Static Power Consumption:0.01W;

Time Delay:5-10s;

Material:ABS.

ACCESSORY:



CARD ENCODER



DATA READER

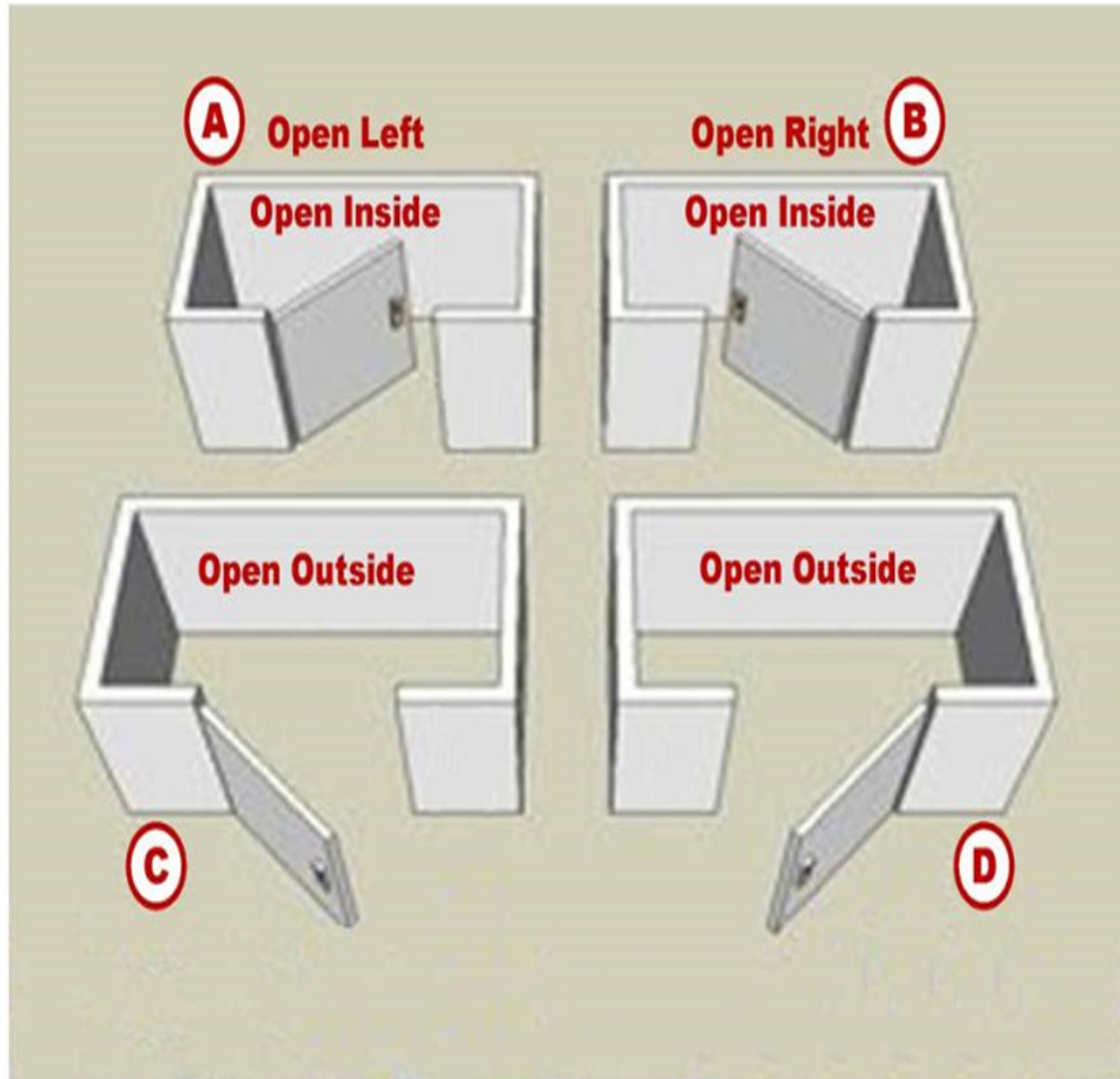


RFID CARD

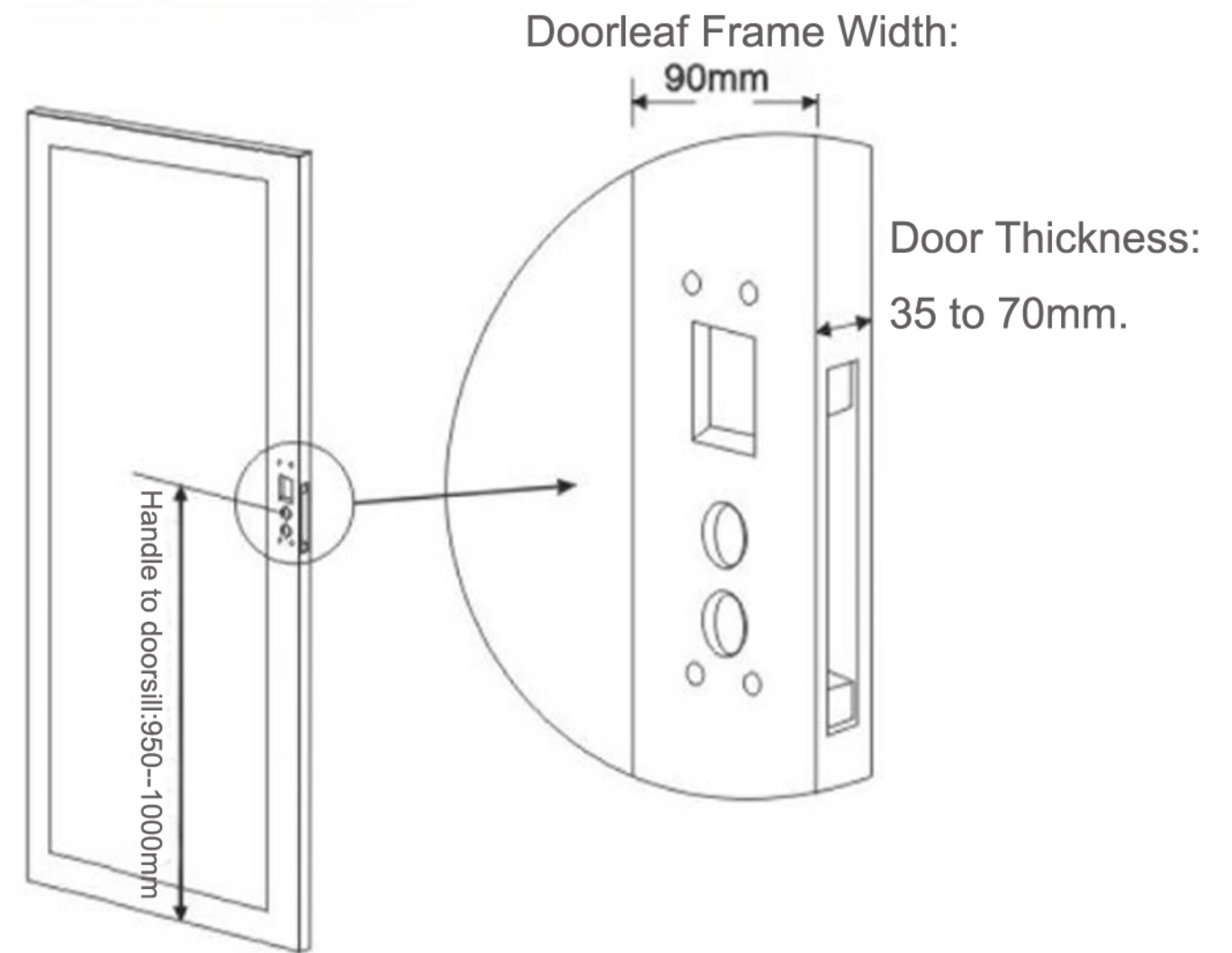


SOFTWARE

DOOR OPEN DIRECTION



Door Tooling Size



HOTEL LOCK CATALOGUE

