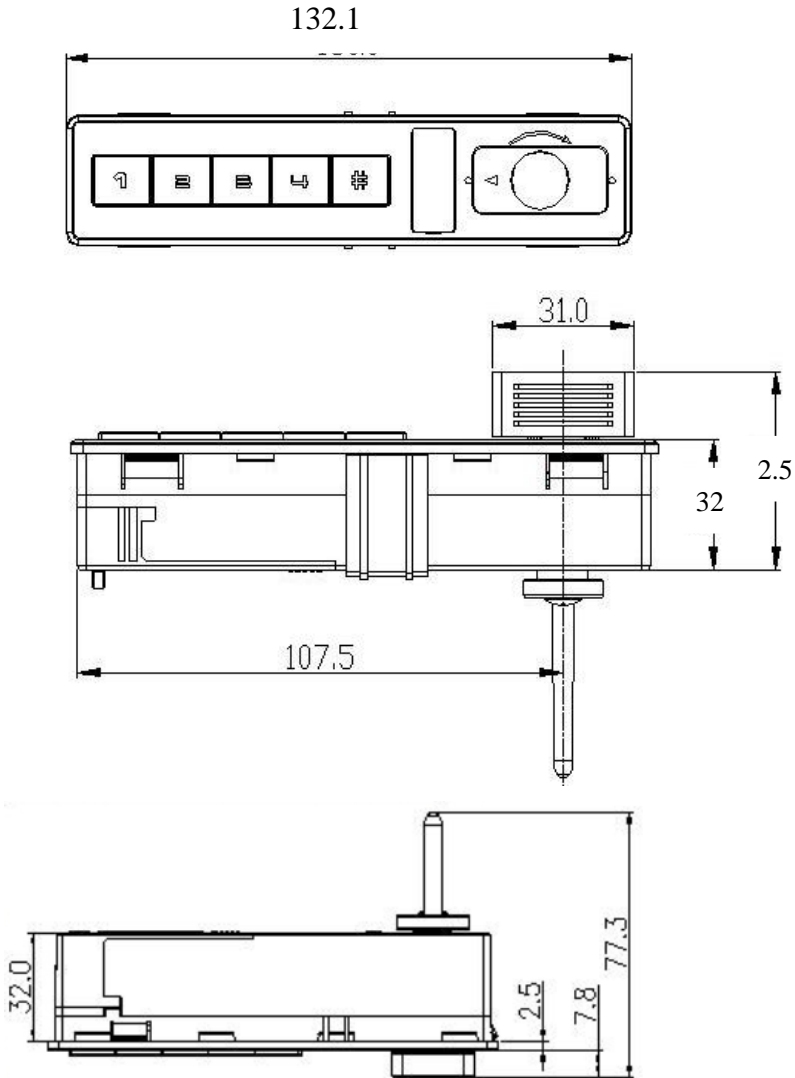


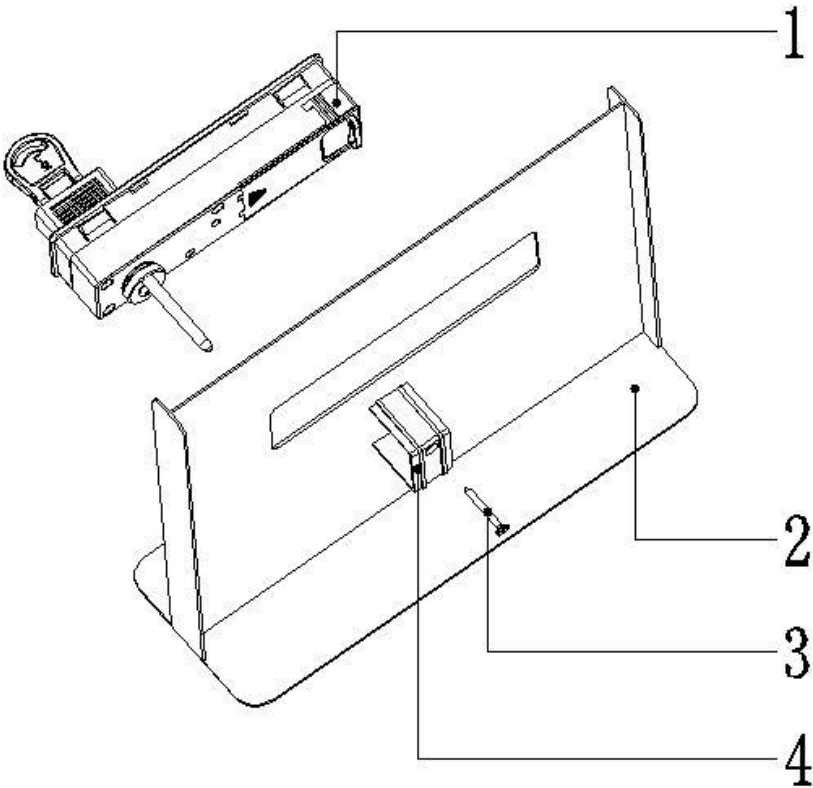
1.Dimension & Accessories

➤ Dimension drawing



➤ Product Install Diagram





Easy to install,install diagram as follow:



- 1、 Complete lock
- 2、 Show stand
- 3、 Screw
- 4、 Fix cover

➤ **Accessory**

Use Manual

Image	Item	Usage	Standard or not	Remark
	9V batteries	Emergency open when battery with low power	No, customer buy by themselves	Supply power at outside
	7#battery	Supply power to lock	No, customer buy by themselves	Supply power inside
	Mechanical key	Turn on	Select	Emergency open
	Screw	Fix panel and cylinder	Yes	Tapping screw 或 or screw M3/M4

2 Operation

➤ Turn on

The first time to use cabinet lock, there are 2 groups default password (User code "0000" and Master code "22222222") to use.

1. When there are not batteries in lock, please use outside battery to supply power.;
2. Please input password "2140000412" (Support Messy code function), press button "#" to confirm.
3. Blue LED On when input correct password; Red LED on when input wrong password.
4. Please turn knob to "Open" position when blue LED On.
5. Put 2 pcs 7# batteries into lock

Remark: Messy code function means---When turn on lock, input a string number (password), as long as the first 20 digits include correct password (For example (143220000123442)), then you can turn on lock. By

this way can protect passwords from stealing by other person.

➤ Turn off

Push drawer to close,turn knob to the position of closing,then lock turned off .

3. Change password

Manufacturer will set default password to you to use.In order to protect your belongs,please change password in time.

1. Change user code

User code is consist of 4-10 digits number,it can store when power off,users can change it by themselves.Change method:Continuous press button“#” 2 times→Input old password(Support Messy code function)→Press button“#”→Input new password→Press button“#”again to confirm,success to set new password .

2. Change master code

Master code is consist of 6-10 it can store when power off,users can change it by themselves.Change method:Keep pressing button “#”(Red LED flicker)→Input old master code→Press“#” →Input new master code→Press“#”to confirm, success to set new master code.

Remark: After used master code to turn on lock,user code will restore to default code“0000”.Please change user code in time(Only suitable for Master code type lock) ,and keep it carefully.

4 Parameter

➤ Main function

1. Sound indicate function

Different operation with different sounds to indicate

2. LED indicate function

2 kinds different color LED to indicate((Red LED means low voltage, green LED means turn on lock)

3. Emergency open:

- 1) When battery have not enough power to drive motor,users can connect external power source to (9V Battery) supply power to turn on lock
- 2) If there are problem in electronic or mechanism, users can insert mechanical key to turn on

4. Alarm for low power

When power is too low,users operate lock,there would be red LED to alarm for low power(Suggest to replace batteries as soon as possible)

5.Messy code function:

When turn on lock,input a string number(password),as long as the first 20 digits include correct password(For example(143220000123442) ,then you can turn on lock.By this way can protect passwords from stealing by other person.

6.Restore password:

When users forget password, input master code to turn on, then user code will recover to default user code("0000").

7.Password protect function

Use Manual

When input wrong password, red LED will display 3 times and buzzer make 3 sound; if continuous input wrong password 3 times, lock will automatic lock 5 minutes (Lock time is selectable), in this period if users press any keypad, it will have not any response. This function is used to avoid password was steal by somebody.

➤ Normal faults and solution

Noraml fault	Analysis of causes	Solution
Cant open when the blue light on	Battery low is low	Use the external power source to open, change the battery immediately after open
Red LED flicker 3 times and buzzer make 3 sound	Input the wrong code	Input correct code
Press the key and have no response	1. Battery power is low 2. Connect cable didn't connect well	1. Use the external power source to open, change battery immediately after open 2. Check whether connect the cable well or not
Press the key and have no response (Red LED flicker)	Continuously input wrong code 3 times	Wait 5 minutes then cam operate again

➤ Work enviroment

Working temperature: -15°C ~ +65°C

Working humidity: 25% ~ 85% RH:

➤ Parameter

- Use time: More than 50 thousand
- Salt-fog test: 24H later, there is no rust or fall off
- static current(Sleep state) $\leq 20\mu\text{A}$
- Dynamic current(Turn on lock) $\leq 150\text{mA}$
- Anti-static current: Anti air discharge 15KV, contact discharge 8KV