

# Dynamic Code Lock For Suitcase And Cabinet

## Brief

The lock panel is very thin, low power consumption, with dynamic code after confirming and authenticating the user's information by the guard central or the owner. Because of low power consumption, so the user no need to change the battery frequently.

## Description:

- **Unlock by 1-Time Password:**

The user report the lock ID No. to the owner or the guard central by phone calling, after authenticating, the user will get the 1-time password for open the lock. This 1-time password has time validity, for instance, if programmed by 2min or 5min validity, then after 2min or 5min, the user use this password to open the lock, it's not working. The user has to report to the guard central for new 1-time password for unlocking by user's information authentication through phone calling.

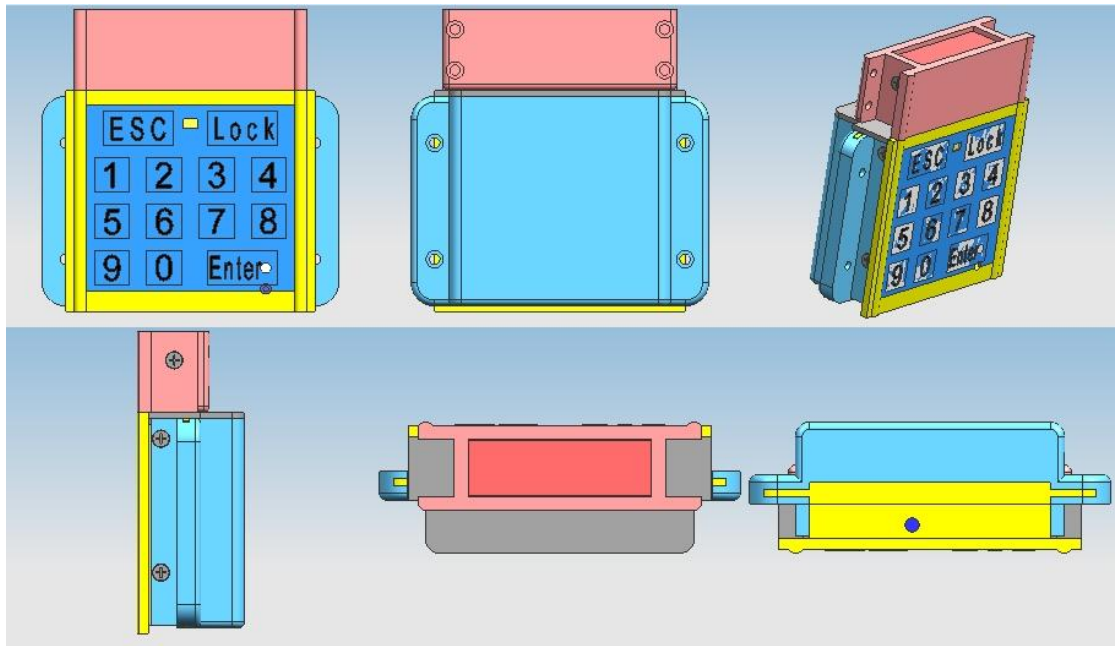
- **Remote Authentication By Lock**

The lock can authenticate the 1-time password by its inside programme. Because it has built-in remote module for communicating with the guard central software.

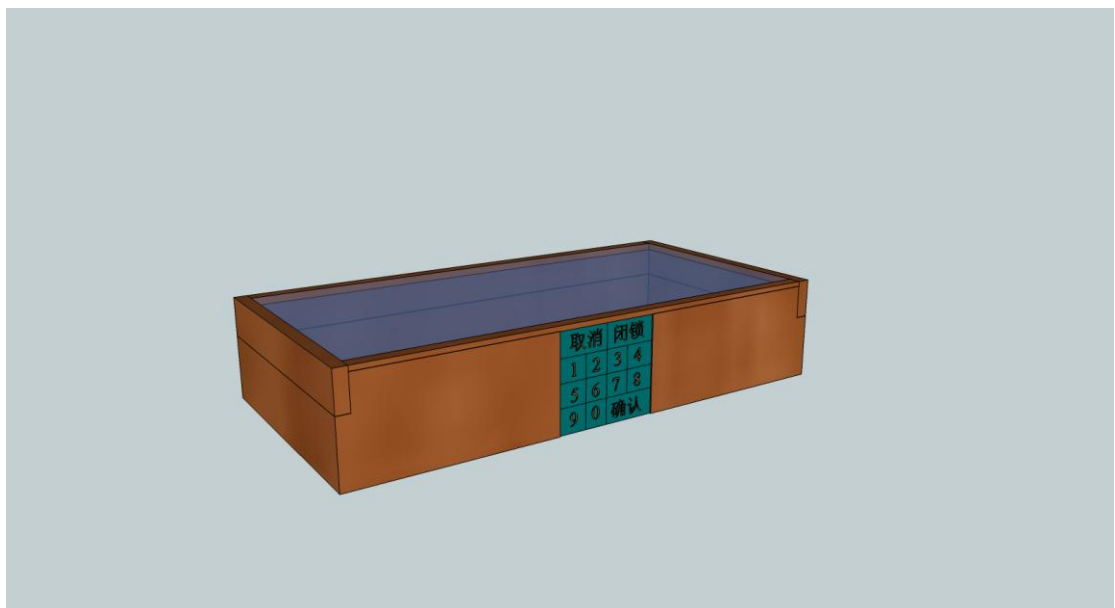
- **Function:**

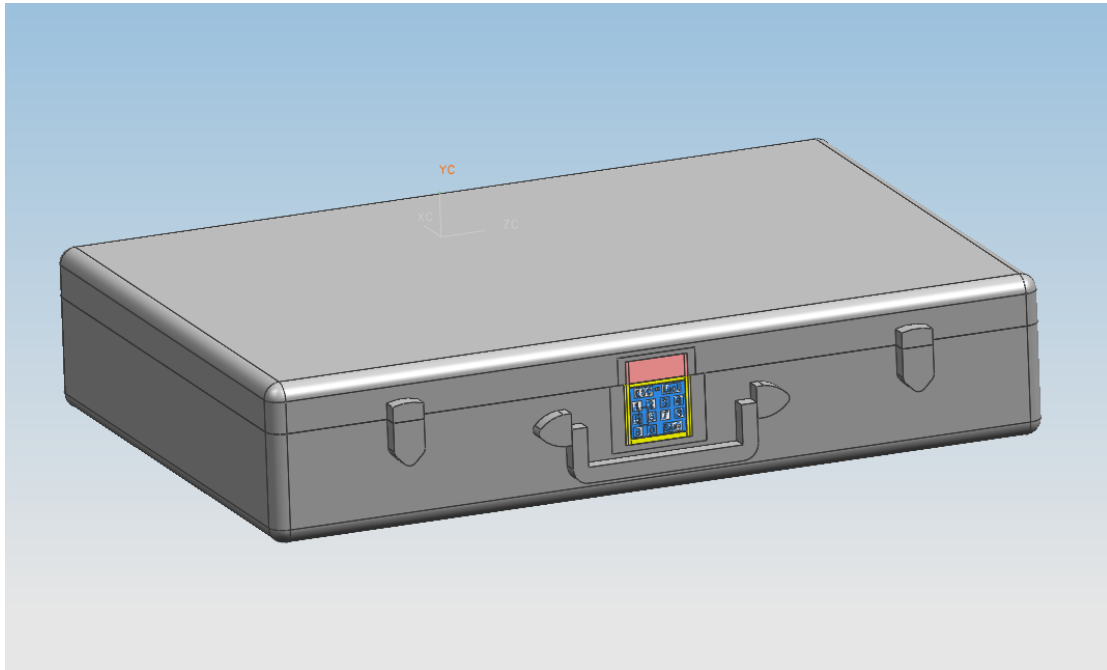
1. Password Unlocking
2. Locking by password or shortcut button.
3. Outside power offering when the battery power is used up.
4. Lock login standby status if no later operation after input the correct password.
5. After error operation 5 times continuously, the lock will send voice alarm, and will lock the keypad for 1 min against any operation.

## Lock View:



**Lock In The Suitcase:**





## Button Function And Operation:

- **ESC Button:**

- ESC button to clear all the previous data(password):**

- Press this button to clear all the previous button. Before you input the correct 1-time password, if you thought some button has been input by mistake, you can press this button to clear all the previous pressed password.

- Lock Button:**

- You can press this button directly for locking the suitcase or press 1-time password + lock button, to finish the locking.

- Enter Button:**

- Input the correct 1-time password + Enter Button, to finish the unlocking.

- 0-9 Key:**

- 1-time password can be programmed by 6-digit or 9-digit or 10-digit or 12-digits which can be customized by the customers.

- **Get 1-time password by phone calling:**

- The user can get the 1-time password by phone calling to the guard central, according to the defined operation.

- **Get 1-time password by login the CS software:**

- We can programme CS software for the user use their own terminal to log into the software, then the user can get the 1-time password directly without phone calling to the guard central.